

COMBi-CB 70E

COMBiLiFT

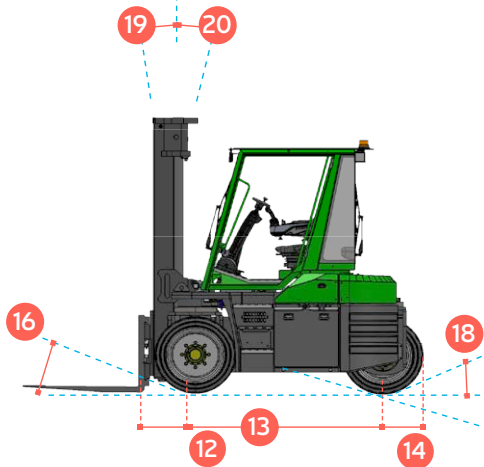
LIFTING INNOVATION

Amazing performance, extensive battery life and unrivalled ergonomics combined with all the advantages of the the Combi-CB range make the CB70E the most powerful, compact multidirectional forklift yet.

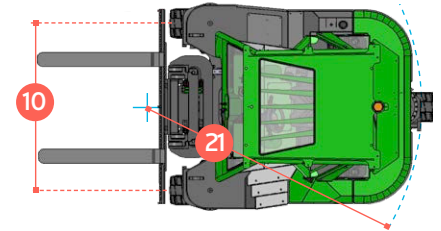
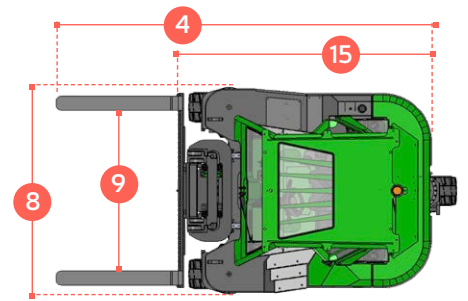
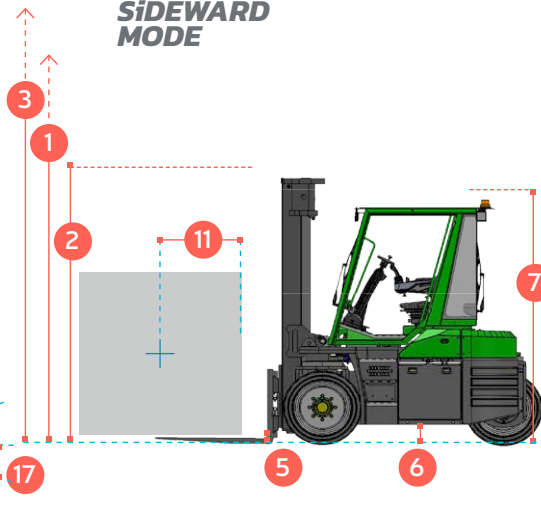


COMBi-CB 70E

FRONTAL MODE



SIWARD MODE



REF. DESCRIPTION

STD

1a	Standard Lift Height	4000mm
1b	Free Lift Height	0mm
2	Height Mast Closed	3050 mm
3	Max. (Mast raised)	5180 mm
4	Overall Length	3880 mm
5	Ground Clearance Under Mast	140 mm
6	Ground Clearance to Wheelbase Centre	210 mm
7	Height of Overhead Guard	2650 mm
8	Width	2200 mm
9	Outside Spread of Fork Arms	2090 mm
10	Track Front	1804 mm
11	Load Centre Distance	600 mm
12	Overhang Front	588 mm
13	Wheelbase	1936 mm
14	Overhang Back	155 mm
15	Length From Face of Fork	2680 mm
16	Approach Angle	25°
17	Ramp Angle	28°
18	Departure Angle	28°
19	Forward Tilt	6°
20	Backward Tilt	6°
21	Minimum Outside Radius	1520 mm
22	Side Shift Mast	+/- 60 mm
A	Capacity	7000 kg
B	Unladen Weight	13000 kg
C	Maximum Ground Speed	16 km/h
D	Gradeability	10%
E	Battery Capacity	80 V / 1000 Ah
F	AC Electric Traction Motor x 3	80 V / 7.5 kW
G	AC Electric Pump Motor	80 V / 41kW
H	Fork Section	150mm x 60mm x 1200mm
I	355 50-20 Tyre x 3	OD 840 mm / Width 315 mm
J	Standard Colour	Green and Grey
K	Suspension Seat	Grammer MSG 83/521
L		

Intelligent Seat Rotation

The CB70E's patented swivel seat automatically swivels 15° to the left or right with the selected direction of travel, maximising driver visibility and reducing strain when travelling in reverse.



Features Include:

- Ergonomic cabin
- Multi-directional operation
- Powered by AC technology
- Suspension Cabin
- Centrally Positioned Operator
- Rollout Batteries
- Rotating Seat

Patent Files:

PATENT PENDING APPLICATION NO. - 2305983.5
 EUROPEAN PATENT NO. - 2956350
 CHINESE PATENT NO. - 201480009365.9
 UNITED STATES PATENT NO. - 9561943
 AUSTRALIA PATENT NO. - 2014217777
 BRAZILIAN PATENT APPLICATION NO. -
 BR112015020348-5
 CANADIAN PATENT NO. - 2901522
 INDIAN PATENT NO. - 399494

COMBILIFT HAS A POLICY OF CONTINUOUS PRODUCT DEVELOPMENT AND RESERVES THE RIGHT TO ALTER SPECIFICATIONS WITHOUT PRIOR NOTICE. SPECIFICATIONS AND/OR DIMENSIONS MAY VARY FROM THOSE ILLUSTRATED IN SOME COUNTRIES.