

COMBi-MR4 Dynamic 360° 3500 - 4500 kg

COMBiLiFT

LIFTING INNOVATION

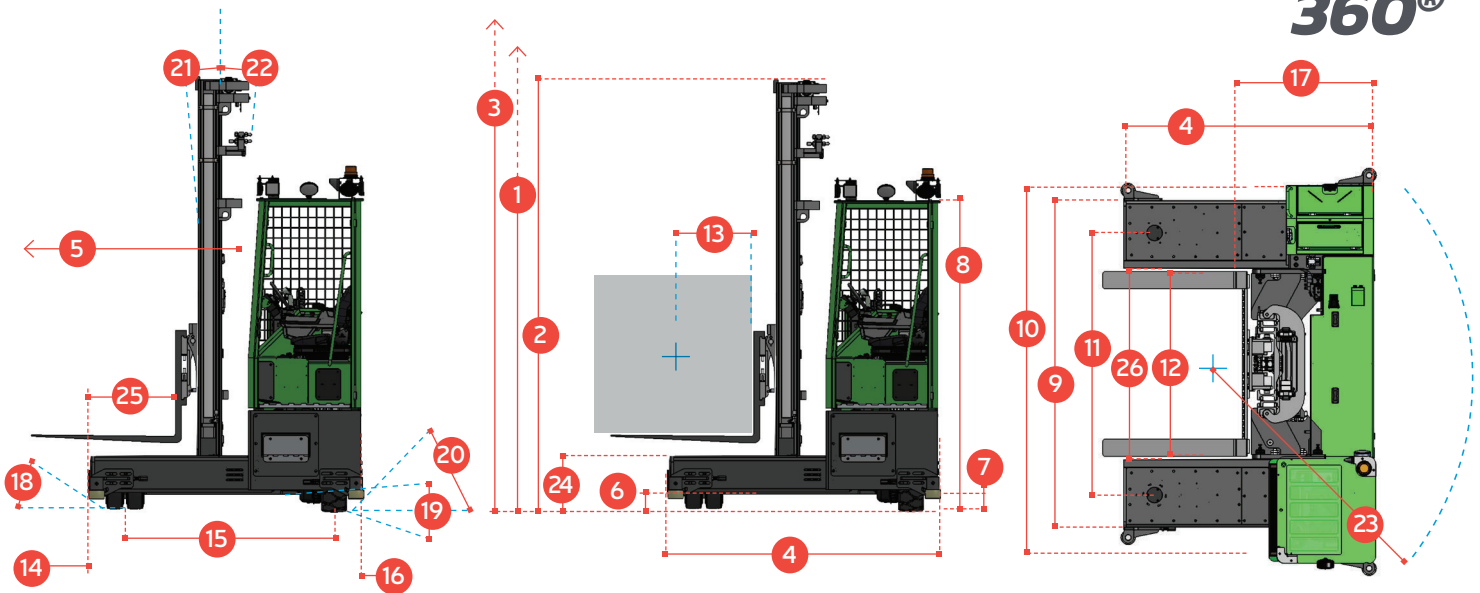
Incorporating our proprietary Dynamic 360° Steering System the Comb-MR4 enables seamless and intuitive directional change while driving.

Dynamic 360°



COMBi-MR4 3500 - 4500 kg

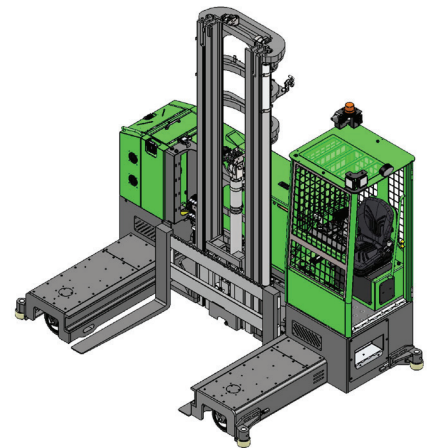
Dynamic 360[®]



This compact truck features two rear wheel drive with rubber tyres and dynamic 360° steering rotation. This contributes to faster procedures for manufacturing distribution and logistics operations.

REF.	DESCRIPTION	STANDARD
1a	Standard Lift Height	4040 mm
1b	Freelift Height	0 mm
2	Height Mast Closed	2800 mm
3	Max. (Mast raised)	5080 mm
4	Overall Length	2200 mm
5	Mast Travel	1340 mm
6	Ground Clearance Under Mast	120 mm
7	Ground Clearance to Wheelbase	100 mm
8	Height Over Cab (without work lights)	2470 mm
9	Chassis Width over legs	2830 mm
10	Overall Width	3230 mm
11	Track Front	2270 mm
12	Width over forks	1600 mm
13	Load Centre Distance	600 mm
14	Overhang Front	265 mm
15	Wheelbase	1835 mm
16	Overhang Back	265 mm
17	Length From Face of Fork	1000 mm
18	Approach Angle	35°
19	Ramp Angle	15°
20	Departure Angle	35°
21	Forward Tilt	3°
22	Backward Tilt	4°
23	Minimum Outside Radius	2000 mm
24	Platform Height	420 mm
25	Platform Length	1200 mm
26	Frame Opening	1650 mm
A	Capacity	4500 kg
B	Unladen Weight	7500 kg
C	Maximum Ground Speed	10 km/h
D	Gradability	10%
E	AC Rear Drive	2 x 8kW
F	Battery	775Ah 80V
G	Fork Section	50 mm x 100 mm x 1150 mm
H	option 1 Vulkollan Front Tyre x2	OD 300 mm / Width 100 mm
	option 2 Rubber Front Tyre x2	OD 300 mm / Width 140 mm
I	option 1 Vulkollan Rear Tyre x2	OD 457mm / Width 180 mm
	option 2 Solid Rubber Rear Tyre x2	OD 457mm / Width 229 mm
J	Standard Colour	Yellow & Grey

Multi-Directional



Features Include:

- Seated Operator Over-Head Guard
- Multi-Direction Operation
- AC Electric Steering
- AC Motor Technology
- Multi-Function Joystick
- Dynamic 360° Steering

Distributed by: